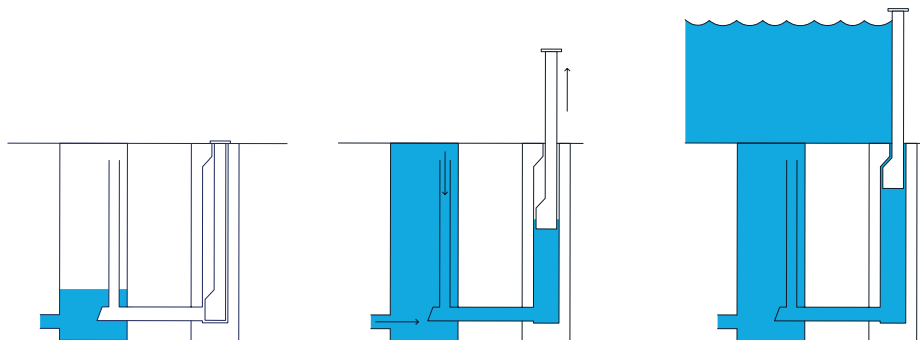


Passive Flood Barrier

SELF CLOSING FLOOD BARRIER™



A vertically-deployed, flood-triggered barrier that protects building openings from extremely high water levels.



Resting Position

In non-flood conditions, all operational parts are concealed in an underground basin.

Deployed Position

As floodwater rises to a predetermined level, an inlet pipe fills the basin, making the flood wall float up.

Fully Deployed

When the basin is full, an angled support block locks the flood wall into position making it watertight.

FEATURES

HIGH WATER PROTECTION

This flood defense system uses approaching floodwater to raise its barrier, using the problem to create the solution, protecting from heavy rainfall, gales, or rapidly melting snow.



Always Ready

Does not need manual activation



Discreet

Remains Underground At Resting Position



No Storage Needed

Remains hidden underground until triggered



No Electric

Operates without human intervention or electricity



User Control

Optional Manual Deployment

Applications

Storefronts | Windows/Doors | Access Doors | Entire Perimeter



Technical Specifications

SIZE	Custom
PANELS	PUR foam core + fiberglass outer layer
SEALS	Long-lasting, durable gaskets
BASIN	Poured Concrete or Steel
ACTIVATION	Pipe Connection, Inspection Pit, Inspection Pit with Pump, Water Runnel, or Water Runnel with Quick Fill System.

