

Preparation is essential and early planning is advised. Review all instructions before beginning the installation process. **Additional tools required: tape measure, variable speed drill, 1" drill bit, 7/16" nut driver and plywood panel(s).**

## Hardware Installation

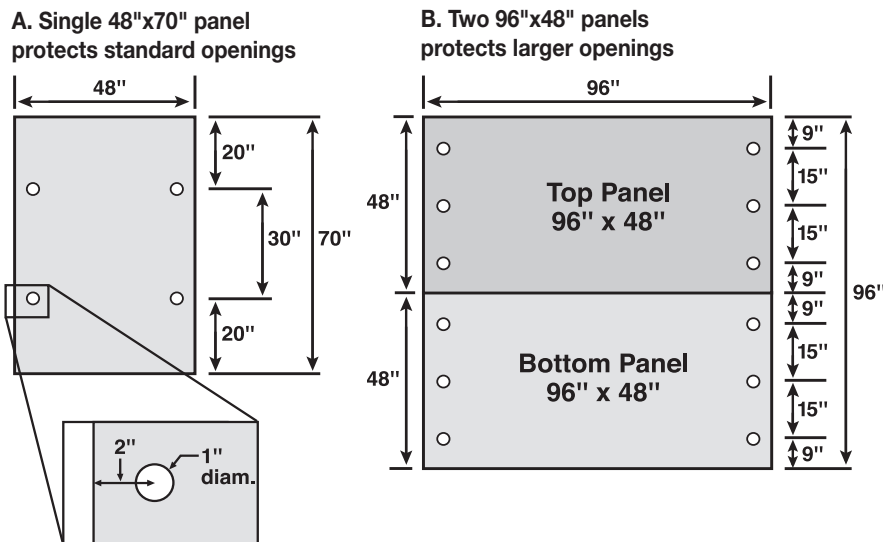
Instructions for typical wood trim application.

1. Place plywood over window/door ensuring that the sheet completely covers window/door and its frame.
2. On the panel, locate and mark center of 1" holes at four points according to the spacing requirements provided. The center of the 1" hole must not be less than 2" from the edge of the panel (Fig. 1). These locations must provide for solid penetration (minimum 2 1/2") by the anchors into the structural framing.
3. Drill 1" holes at each of four marked locations in plywood sheet.
4. Place plywood back over window/door to locate anchor placement. Be sure to mark location at the top center of the holes.
5. Insert a 1/4" anchors using a 7/16" nut driver until head protrudes 3/4".
6. Hang the plywood panel over the lags. Position PlyFASTner Plus over the lag heads and slide each of the four PlyFASTner Plus into place (Fig. 2 & 3). Adjust the depth of the lag with the nut driver, if needed so that the system is tight and there is approximately 1/8" space between the anchor head and PlyFASTner Plus. (Fig. 4)

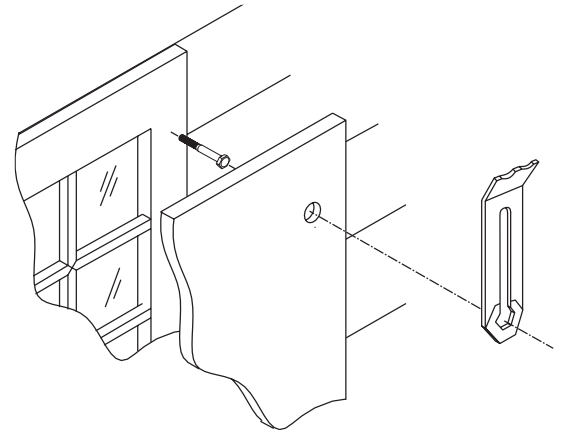
## Spacing Requirements

- A. When the panel span is 48" or less, the anchor spacing cannot exceed 30" center to center. The distance from the bottom (or top) of the sheet to the first anchor cannot exceed 20".
- B. When the panel span exceeds 48" in width, the anchor spacing cannot exceed 15" center to center. The distance from the bottom (or top) of the sheet to the first anchor cannot exceed 9".

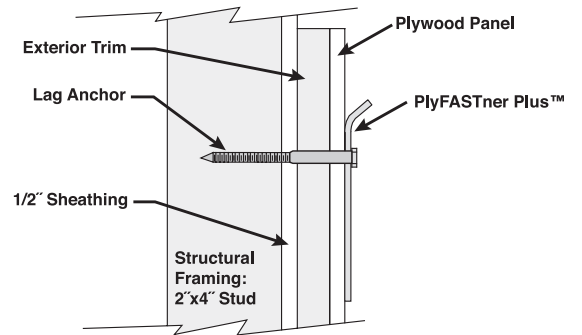
**Fig. 1** Prepare hardware and panels per opening size



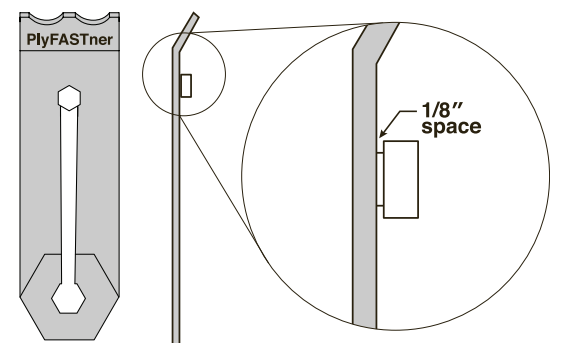
**Fig. 2** Secure plywood panel with PlyFASTner Plus



**Fig. 3** PlyFASTner Plus & plywood panel in place



**Fig. 4** Adjust depth of anchor





## Stow & Deploy™ Solution

Repeatedly stowing and deploying the anchor will not adversely affect the embedment strength of the anchor.

- After hardware installation, stow the anchor by inserting the anchor until the head touches the surface.
- Prior to hanging the panel, deploy the anchor using a 7/16" nut driver so that the head protrudes 3/4" from the surface of the window casing, or 8 counterclockwise revolutions.
- When the storm has passed, remove PlyFASTner Plus and plywood. Stow the anchor until needed.

**Caution: If longer 1/4" anchors are used, check that the anchor point does not penetrate the interior finish of the wall when stowed.**



### 3-Step Panel Installation

Quickly and easily secure windows and doors when adverse weather threatens.

- 1 Deploy the anchor.
- 2 Hang plywood panel over bolts.
- 3 Secure plywood by placing PlyFASTner Plus over bolts; slide down to secure.



### Additional Suggestions for Installation

- Various anchor bolt lengths may be used for different window applications. Always ensure the anchor is embedded in the structural 2x4 window framing.
- For masonry construction, lag must be embedded in epoxy by 3"
- Predetermine dimensions of window/door and have plywood supplier cut to order.
- If you prefer to cut plywood, use carbide or fine tooth circular saw blade for smoother edges with fewer splinters. You may cut several panels at a time if you have multiple windows/doors with the same dimensions.
- Paint or seal the plywood sheets to ensure that they are properly preserved and will be ready to use year after year.
- Label your various plywood sheets with location of the window/door on your home for quicker and easier installation.
- Store plywood in a dry place out of rain or direct sunlight.

PlyFASTner Plus™ Advanced Hurricane Protection System is versatile and adaptable to fit a variety of building substrates including wood, vinyl siding, HardieTrim, stucco, brick veneer & concrete block. Contact PlyFASTner Technical Support at 843.766.8199 for additional assistance.



Evaluation report certifies code compliance  
Meets SSTD 12-99 as per ASTM E 1886-97  
Meets International Building Code requirements  
Meets Florida Building Code requirements  
Florida product approval - FL13531

PlyFASTner LLC is not responsible for any personal or property damage due to adverse weather.



800-507-0865 • info@floodproofing.com  
430 Andbro Drive, Unit 1, Pitman, NJ 08071