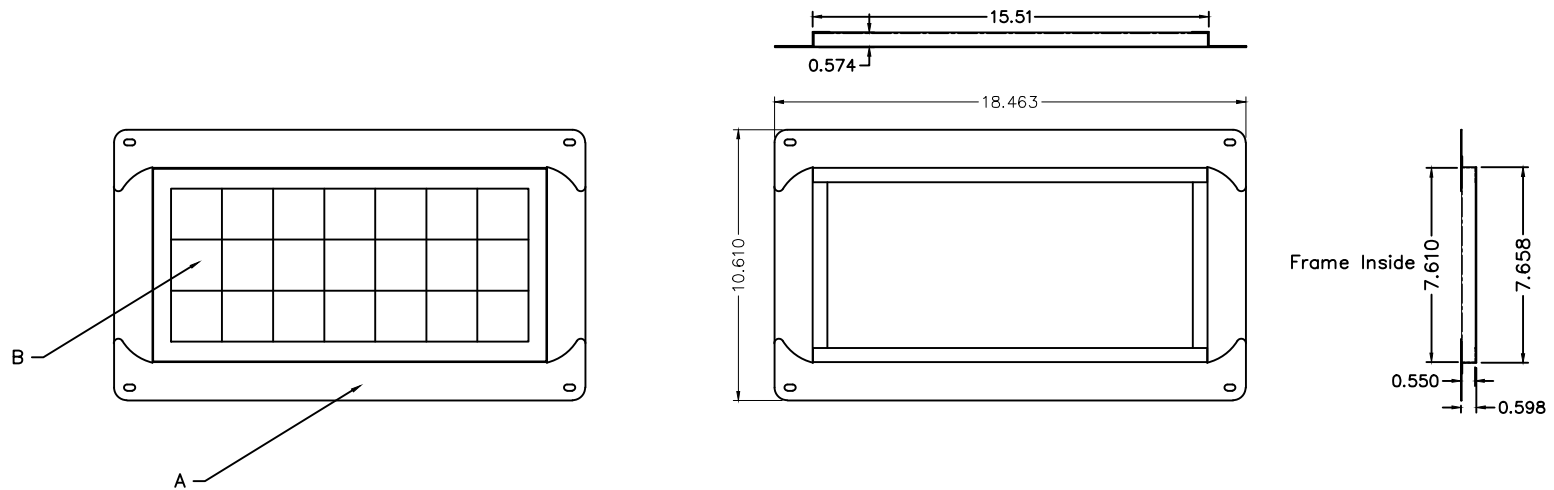



REVISIONS				
ZONE	REV	DESCRIPTION	DATE	APPROVED
	6	New design to allow for common parts with other configurations. Changes include wider flanges and slots	4/15/20	



SEALING KIT #1540-526  
 304 STAINLESS STEEL  
 POWDER COATED WHITE

A	1540-526, Sealing Kit Frame Assembly	1
B	1540-526-20, Homasote Cut, Insert w/ 2 in. squares	1
ITEM	DESCRIPTION	QTY

TOLERANCES UNLESS OTHERWISE SPECIFIED X.X +/-0.06 X.XX +/-0.03 X.XXX +/-0.005			<b>SMART VENT PRODUCTS, INC</b> 430 Andbro Dr. Unit 1 Pitman NJ 08071			
			1540-526 Sealing Kit Assembly Drawing			
THE INFORMATION CONTAINED IN THIS DRAWING IS THE SOLE PROPERTY OF SMART VENT INC. ANY REPRODUCTION OR USE OF THIS INFORMATION WITHOUT THE WRITTEN PERMISSION OF SARGENT METAL FABRICATORS IS PROHIBITED.		877-441-8368 SMARTVENT.COM	SIZE DR. BAB	FSCM NO.	DWG NO. 1540-526	REV 6
DATE: 04/15/20			SHEET			