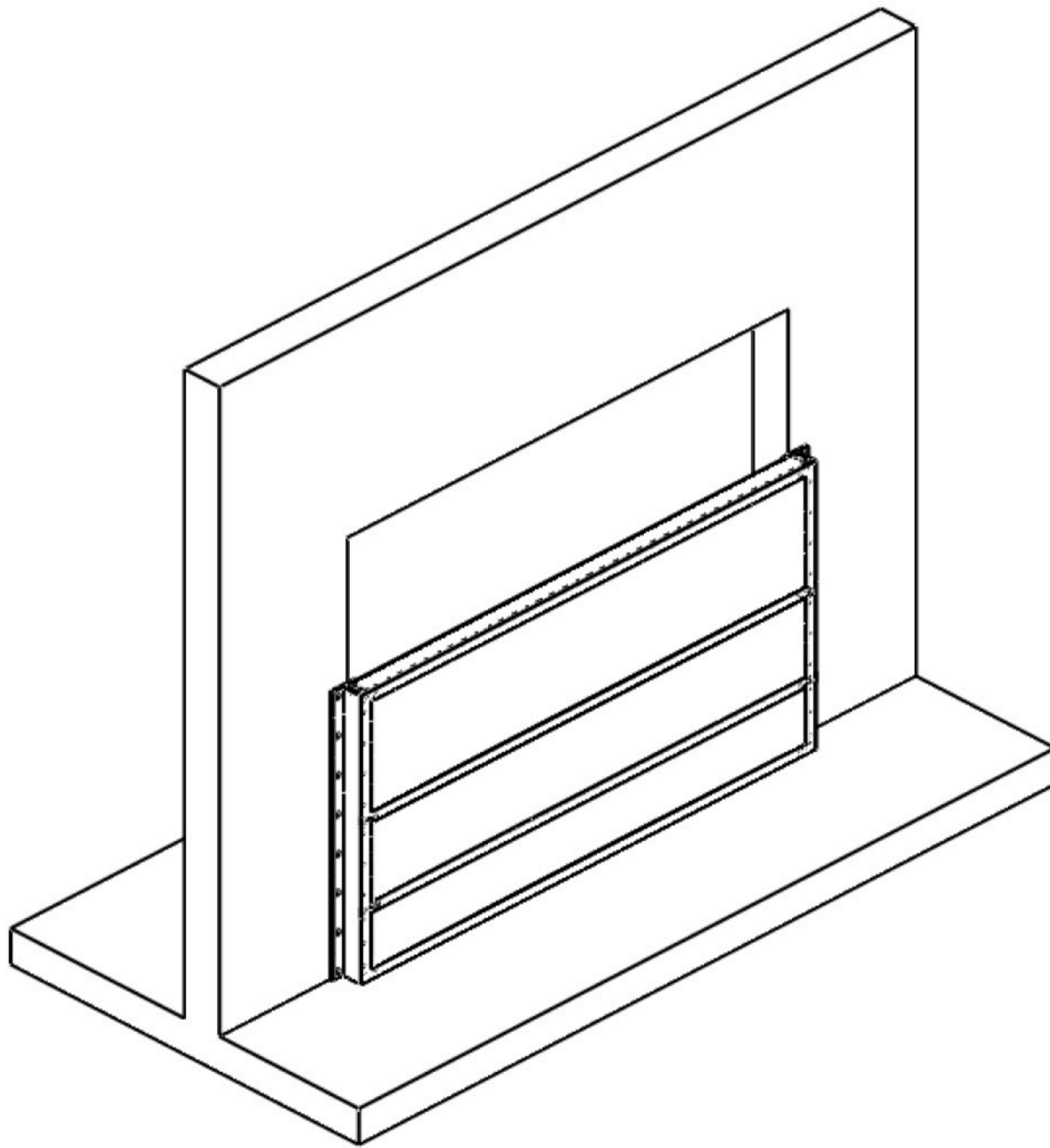




**INPRO-71844**  
**FLEX-COVER® DOORS**  
**ILC DOVER LIMITED WARRANTY**

---



ILC Dover LP – One Moonwalker Rd. Frederica, DE 19946 - [www.ilcdover.com](http://www.ilcdover.com)

---

## ILC DOVER – LIMITED WARRANTY

**Limited Warranty:** Subject to the terms of this Limited Warranty, ILC DOVER warrants to the original user or consumer (the “Owner”) of an ILC DOVER product (the “Product”) that, for a period of one (1) year from date of shipment of the Product (the “Warranty Period”), the Product will be free from defects in material and workmanship under normal use and service, and provided that the Product is installed, operated and maintained in accordance with the instructions supplied by ILC DOVER. The terms and limitations of this Limited Warranty apply to all repaired or replacement Products for a term equal to the balance of the warranty remaining on the Product that was repaired or replaced as of the date of such repair or replacement. Upon the transfer of the Product to any other user, this Limited Warranty immediately shall terminate.

**ILC Dover Product Warranty Registration:** As to the Product, this Limited Warranty will only be valid if the Owner completes the Warranty Registration Form provided within thirty (30) days of Product installation. To request a copy of the Warranty Registration Form, contact Sales & Customer Service at:

ILC DOVER, One Moonwalker Road, Frederica, DE 19946  
Phone: 302.335.3911 x 506 or 1-800-631-9567 (US toll Free)  
Email: [customer\\_service@ilcdover.com](mailto:customer_service@ilcdover.com)  
Website: [www.ilcdover.com](http://www.ilcdover.com)

**Warranty Exclusions:** Notwithstanding anything to the contrary herein, this Limited Warranty does not cover any of the following: 1. Normal wear and tear (including, but not limited to, normal wear and tear to gaskets and weather seals); damage or accidents resulting from freight damage, failure to follow precautionary safety measures or operating instructions, or applied paint failure; abuse, misuse or unauthorized modification of the Product; misapplication; improper installation; or any defects, damage or other harm that is not the result of the acts or omissions of ILC DOVER; 2. Cost of field labor or other charges incurred by Owner in removing and/or re-affixing the Product or any part or component thereof; and 3. Transportation costs. Unauthorized modification of or to the Product voids this Limited Warranty. Authorized modifications, which authorization must be received in writing from ILC DOVER, do not void this Limited Warranty, provided that such modification occurs in strict accordance with ILC DOVER’s authorization.



*Flex-Cover Limited Warranty*

---

**Claim Procedure:** To make a claim under this Limited Warranty, such claim must be received by ILC DOVER before the expiration of the Warranty Period together with proof of purchase of the Product. Such claim must be made in writing to ILC DOVER at the above address. An authorized ILC DOVER representative must be given a reasonable opportunity to inspect and investigate the alleged Product defect prior to any work being done that affects the Product or its installation. ILC DOVER reserves the right to charge reasonable amounts for travel and labor associated with investigation of claims. ILC DOVER may also require photographs of the alleged Product defect or return of the Product or part to a designated ILC DOVER location, freight prepaid. A return goods authorization must be received prior to the return of the Product or part. Please contact ILC DOVER to determine the designated location for return and to obtain the return material authorization.

**Exclusive Remedy:** In the event that a warranty claim is covered by this Limited Warranty, the Owner's sole remedy, and ILC DOVER's sole obligation, shall be ILC DOVER's replacement or repair, at ILC DOVER's sole discretion, of the Product or any part of the Product found to be defective.

**Disclaimers:** The above warranty and remedy is the sole express warranty and remedy given by ILC DOVER with regard to the Product. No warranties or representations at any time made by any representative from ILC DOVER shall vary or expand the provisions hereof. TO THE FULLEST EXTENT PERMITTED BY APPLICABLE LAW, ALL EXPRESS AND IMPLIED WARRANTIES (INCLUDING IMPLIED WARRANTIES OF MERCHANTABILITY, FITNESS FOR A PARTICULAR PURPOSE AND NON-INFRINGEMENT) OTHER THAN THE EXPRESS LIMITED WARRANTY SET FORTH ABOVE ARE EXPRESSLY DISCLAIMED AND THE OWNER SHALL TAKE THE PRODUCT ON AN AS-IS, BASIS.

**Liability Limitation:** To the fullest extent permitted by applicable law, in no event will ILC DOVER's liability to Owner or any other person or entity exceed the price paid to ILC DOVER for the defective Product. TO THE FULLEST EXTENT PERMITTED UNDER APPLICABLE LAW, IN NO EVENT SHALL ILC DOVER BE LIABLE TO OWNER OR ANY OTHER PERSON OR ENTITY FOR INCIDENTAL, CONSEQUENTIAL, INDIRECT OR SPECIAL DAMAGES OF ANY DESCRIPTION, WHETHER ARISING OUT OF WARRANTY (INCLUDING ANY IMPLIED WARRANTIES) OR ANY OTHER CONTRACT, STRICT LIABILITY, NEGLIGENCE OR OTHER TORT, OR OTHERWISE, INCLUDING ARISING FROM INSPECTION OR REMEDY DELAYS.



## **7 CONTACT INFORMATION**

ILC Dover

One Moonwalker Road

Frederica, Delaware 19946

Sales & Customer Service:

1-302-335-3911 x 506 or

1-800-631-9567 (US Toll Free)

Email: [customer\\_service@ilcdover.com](mailto:customer_service@ilcdover.com)

See more at: <http://www.ilcdover.com>