

DETAIL DIAGRAM
 MODEL 1540-521
 FLOOD VENT INSULATED

HURRIBOND GRIP & SEAL
 ADHESIVE LOCATION
 (FLANGE)

HURRIBOND GRIP & SEAL
 ADHESIVE LOCATION
 (FLANGE)

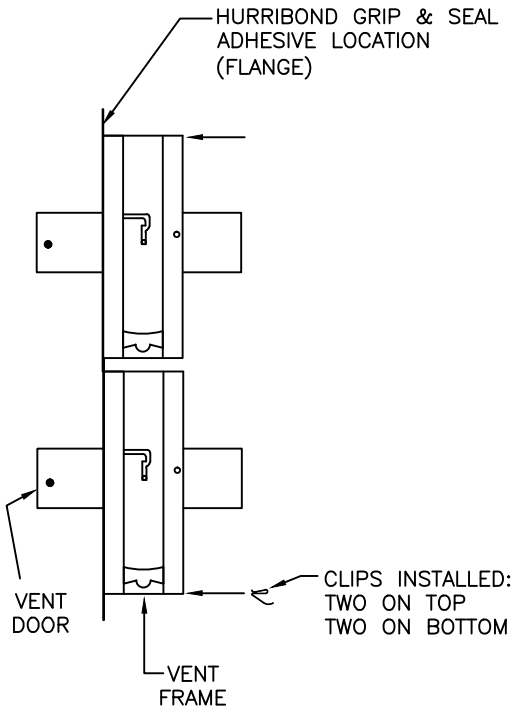


FIGURE 2
 SIDE VIEW

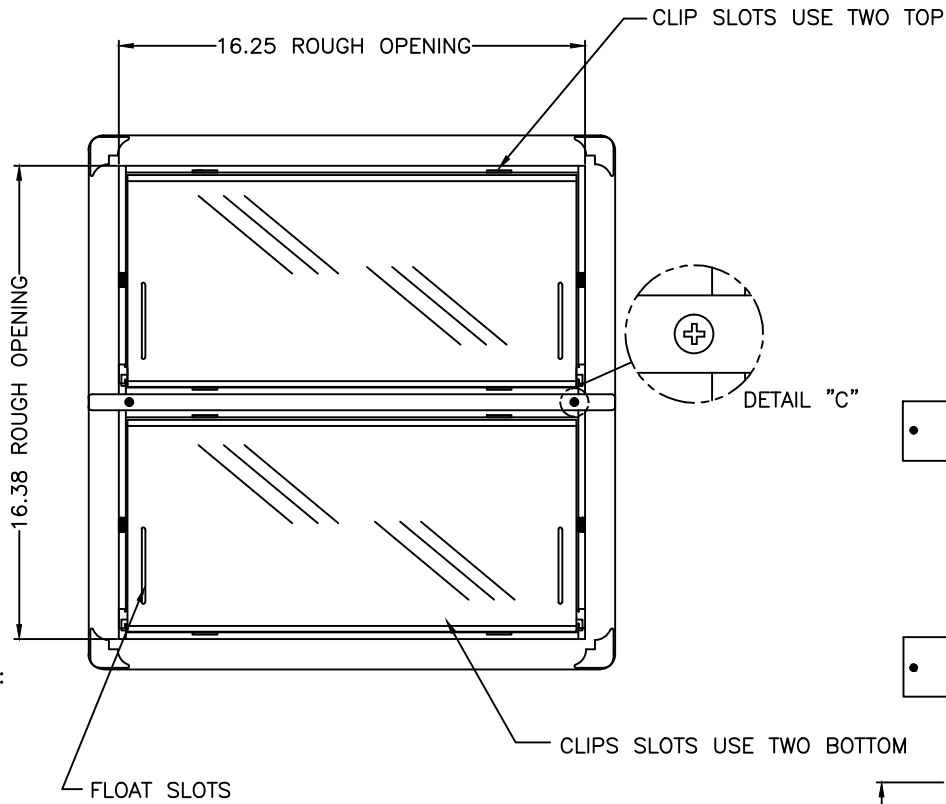
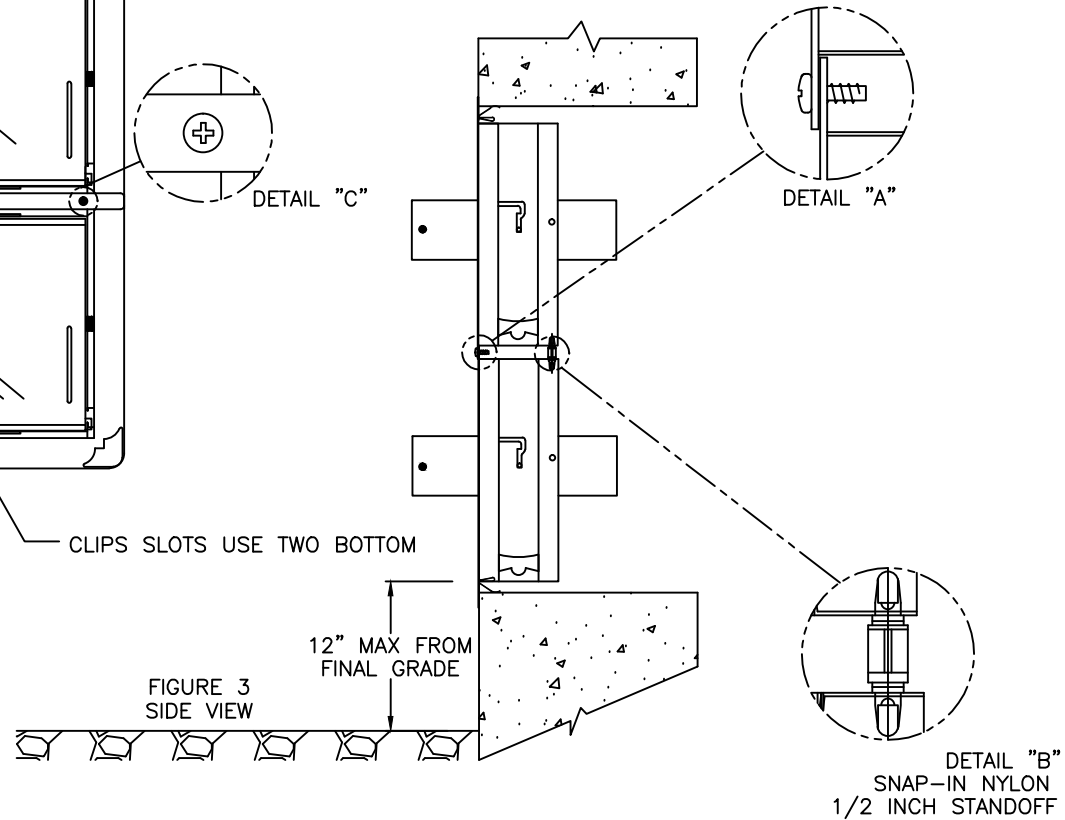


FIGURE 1
 FRONT VIEW


CLIP SLOTS USE TWO TOP

CLIP SLOTS USE TWO BOTTOM

FIGURE 3
 SIDE VIEW



DETAIL "B"
 SNAP-IN NYLON
 1/2 INCH STANDOFF

 SMART VENT® 877-441-8368 WWW.SMARTVENT.COM	SMART VENT FOUNDATION FLOOD VENTS 430 ANDBRO DR., UNIT 1 PITMAN NJ 08071		
	FLOOD VENT INSULATED MODEL 1540-521		
SIZE A	DWG NO. 1540-521	REV A	
DATE.	6-21-16	SHEET	1 OF 2



Smart VENT
877- 441- 8368
www.smartvent.com

INSTALLATION INSTRUCTIONS
& DETAILS
MODEL 1540-521
FLOOD VENT INSULATED

REV. 6-21-16

INSTALLATION INSTRUCTIONS

1. PREPARE A CLEAN 16-1/4" WIDE X 16-3/8" HIGH ROUGH OPENING FOR EACH SET OF STACKING VENTS (1 BLOCK WIDE X 2 BLOCKS HIGH) WITH THE BOTTOM OF THE HOLE NO MORE THAN 12" ABOVE FINISHED GRADE.
2. REMOVE DOORS FROM FRAMES. (TURN UPSIDE DOWN, ROTATE BOTTOM OF DOOR OUTWARD AND SLIDE OUT OF SLOTS).
3. ASSEMBLE TWO FRAMES TOGETHER USING TWO NYLON SPACERS SNAPPED INTO HOLES IN REAR OF FRAMES AS SHOWN IN DETAIL "B". PLACE TOP FRAME (ONE WITH SHORT BOTTOM FLANGE) OVER AND IN FRONT OF BOTTOM FRAME (ONE WITH SHORT TOP FLANGE) AND FASTEN FRONT OF FRAMES TOGETHER WITH TWO SELF TAPPING SCREWS AS SHOWN IN DETAILS "A" AND "C". DO NOT OVER TIGHTEN SCREWS.
4. INSERT INSTALLATION CLIPS INTO THE TWO SLOTS ON THE TOP OF THE FRAME ASSEMBLY AND INTO THE TWO SLOTS ON THE BOTTOM OF THE FRAME ASSEMBLY.
5. HURRIBOND GRIP & SEAL OR EQUIVALENT ADHESIVE IS APPLIED TO BACK OF FLANGES FOR A BETTER SEAL TO WALL FACE. PLACE FRAME ASSEMBLY INTO WALL OPENING BY COMPRESSING THE BOTTOM TWO CLIPS AND SLIPPING THE FRAME INTO THE OPENING. ENSURE THE BOTTOM CLIPS ARE IN THE OPENING BEFORE ALLOW THEM TO DECOMPRESS. NEXT COMPRESS THE TOP SPRINGS AND PUSH THE VENT FRAME INTO THE OPENING COMPLETELY. PRESS FLANGES TIGHT TO WALL FACE.
6. MAKE SURE BOTH FRAMES ARE FLUSH TO WALL FACE, SECURE, SQUARE, LEVEL AND ALL SLOTS ARE CLEAR OF DEBRIS, MORTAR AND CAULK.
7. HOLD DOORS FROM THE BOTTOM, PARALLEL TO GROUND WITH BACK FACING GROUND AND RE-INSTALL INTO FRAMES BY INSERTING TOP FIRST AND LETTING METAL PINS FIND SLOTS. PUSH ALL THE WAY BACK AND ALLOW DOOR TO DROP AND ROTATE DOWN ON BOTH SIDES LATCHED CLOSED.
8. INSERT THE SECURITY CLIPS INTO THE SLOTS THE DOOR PINS SLID INTO.
9. TO OPEN THE DOOR, INSERT TWO CREDIT CARDS INTO THE FLOAT SLOTS. THIS WILL UNLATCH THE DOOR FOR REMOVAL AND CLEANING.

DETAILED SPECIFICATIONS:

MATERIAL: STAINLESS STEEL

OPERATION FLOOD: AUTOMATIC NON-POWERED ACTIVATION AND OPERATION
VENT REMAINS CLOSED AND LOCKED UNTIL ACTIVATED

INSTALLATION:

SECURED W/ 4 STAINLESS STEEL INSTALLATION CLIPS SUPPLIED AND AN ADHESIVE
HYDROSTATIC RELIEF: 200 SQ. FT PER VENT (400 SQ. FT. PER THIS 2 UP ASSEMBLY)

REQUIREMENTS FLOOD: MINIMUM OF 2 VENTS PER ENCLOSED AREA MOUNTED ON AT LEAST TWO DIFFERENT WALLS

COLORS: STAINLESS (STANDARD)
EXTERIOR POWDER COATED WHITE, WHEAT, GRAY, AND BLACK (AVAILABLE)

MEETS THE REQUIREMENTS FOR ENGINEERED OPENINGS AS SET FORTH BY:
FEMA, NFIP, ICC, & ASCE
SUPPORTIVE DOCUMENTS, TB 1-08, 44CFR 60.3(C)(5), ASCE 24-14
ICC EVALUATION # ESR-2074